

Price list 2024

[Switzerland]

Recommended Retail Price, EUR excl. local VAT

Edition 1.1



Index

Intro

Standard sales and delivery terms and conditions	page	5
--	------	---

Bar Stools

Primum Bar Stool	page	7
------------------	------	---

Benches

Plaited bench	page	8
---------------	------	---

Chairs

Asger	page	9
Primum Chair	page	10
Primum Chair Dynamic	page	12
Primum Chair spare parts	page	13

Cushions

Relief	page	14
--------	------	----

Desks

Hemingway	page	15
-----------	------	----

Dining tables & Conference tables

Meet Table	page	16
Primum Table	page	17
Track	page	18

Lounge Chairs

Asento	page	19
Asger Lounge Chair	page	20
Primum Lounge Chair	page	21
Tension Lounge Chair	page	22

Ottomans & Pouffes

Belly	page	23
Marokko	page	24
Otto	page	25

Seat Cushions & Full-covers

Seat cushions Benches	page	26
Seat cushions Chairs	page	27
Full-cover	page	33
Luxury Cushions Fabric	page	34
Luxury Cushions Leather	page	35

Index

Side tables & Lounge tables

Forma	page	36
Inverse	page	37
Metro	page	38

Sofas

Aware	page	39
Pado	page	40
Primum Sofa	page	42

Storage

Button-Up	page	43
Hang-Up	page	44
Up The Wall	page	45

Price groups	page	46
---------------------	------	----

Intro

Prices

This price list is applicable from January 20th 2024 and replaces all previous price lists.
All prices are in Euro, free of VAT.

Freight costs

Freight costs to Bent Hansen's registered customer addresses are included in the retail prices if net amount > € 500.
If net amount < € 500: freight cost = € 39.
Delivery to another address on request.

Returned goods

Articles will not be taken back without prior arrangement.

Customer textiles or leather

Com. materials will not be accepted without prior arrangement.

Handling fee: € 200 excl. local VAT (per order)

The packaged fabrics and leather must be clearly marked with the order number and sent to Bent Hansen A/S,
Kaolinvej 1, DK-9220 Aalborg Øst.

Misprints might occur.

Bent Hansen a/s

Kaolinvej 1

DK-9220 Aalborg Øst

Telefon: +45 98 13 31 71

Mail: info@benthansen.net

CVR: 28656610

www.benthansen.dk

Standard sales and delivery terms and conditions

1. Applicability

1.1. The present standard sales and delivery terms and conditions are applicable for all deliveries from Bent Hansen A/S unless agreed upon otherwise in writing.

2. Offer and order placement

2.1. Offers issued by Bent Hansen A/S are valid for 30 days from the date of the offer. Binding orders are only first entered into when a written order confirmation has been issued by Bent Hansen A/S. In the event of any inconsistencies between the offer and acceptance of an offer, the order confirmation issued by Bent Hansen A/S shall apply.

3. Cancellation of orders

3.1. Purchasers may cancel an order at no charge as long as it has not been placed into production. If the order has been placed into production, then the purchaser is obligated to pay for the order, unless a different agreement is entered into between the purchaser and Bent Hansen A/S.

4. Delivery

4.1. Delivery will occur ex works with respect to the applicable Incoterms. In the event that Bent Hansen A/S cannot deliver on time, due to circumstances that must be deemed to comprise force majeure, then the delivery time will be postponed. Bent Hansen A/S shall in such cases give notification of when delivery may be expected to take place.

4.2. If upon issuance of the order it has been agreed that the purchaser will fetch the delivery itself and the purchaser is unable to carry out the pick-up at the agreed point in time, Bent Hansen A/S will arrange for the delivery to be stored at the purchaser's expense and risk.

4.3. If the purchaser upon notification that the delivery is ready does not consider itself to be in a position to receive the delivery, then Bent Hansen A/S will arrange for the delivery to be stored at the purchaser's expense and risk. Bent Hansen A/S will however invoice the purchaser for the delivery upon the notification that it is ready.

4.4. If the purchaser is itself responsible for fetching the delivery, then the purchaser itself is liable for the freight and the proper packing and cannot in the event of damage during shipping lodge a claim/complaint concerning such against Bent Hansen A/S. If the purchaser has a need for special transport-suitable packaging, then Bent Hansen A/S is able to offer such as against a fee.

4.5. In the event of a delay, Bent Hansen A/S does not, regardless of the cause, have any liability for indirect losses, for example lost earnings, operating losses, consequential damages or expenses.

5. Price and payment

5.1. All prices are specified in Euro excl. VAT.

5.2. The payment terms and conditions are net 8 days unless agreed upon otherwise. For late payments, interest will be added on the outstanding amount due to Bent Hansen A/S at the statutory rate of interest, currently 8.05 % per annum, 30 days from the due date on the invoice, cf. the Danish Late Payments of Commercial Debts Act, section 3, subsection 2, cf. section 5.

5.3. Delays, deficiencies or other claims on the part of the purchaser do not entitle the purchaser to withhold the purchase sum or undertake offsetting, thus the purchaser is obligated to pay the purchase sum as if defect-free delivery had taken place on time, with the purchaser being referred to restitution.

6. Property rights

6.1. Deliveries from Bent Hansen A/S remain the property of Bent Hansen A/S until payment has been made.

7. Responsibility for deficiencies

7.1. The purchaser has the responsibility to immediately examine the delivery upon receiving it.

7.1.1. For visual shipping damages to the content of the delivery, the purchaser must immediately reject the shipment with respect to the carrier "due to transport damage". The purchaser must thereafter contact Bent Hansen A/S, subsequent to which Bent Hansen A/S will send a new item as soon as possible.

7.1.2. For visible shipping damage to the packaging of the delivery, the purchaser must request the carrier to wait for the purchaser's examination of the content of the delivery for shipping damage. If the carrier against expectations will not permit this, then the purchaser may either reject the shipment or note "received with reservation for errors and deficiencies" on the consignment note, if the purchaser assesses that the content could still be in good condition. If the delivery turns out to be damaged, the purchaser must contact Bent Hansen A/S within 2 days.

7.1.3. In the event of hidden shipping damage, the purchaser is obligated to check at the latest 2 days after receipt that the delivery is in order. If the purchaser experiences after 2 days that there is hidden shipping damage to the delivery, then the purchaser must immediately lodge a claim/complaint over such with Bent Hansen A/S.

7.2. In the event of errors or defects, Bent Hansen A/S is obligated and entitled to remedy such, by performing repairs or replacement at the choice of Bent Hansen A/S. Any possible errors and defects do not entitle the purchaser to a reduction in the price and/or cancellation of the agreement.

7.3. If Bent Hansen A/S recognises that errors or defects exist, then the purchaser must return the defective item to Bent Hansen A/S at the purchaser's expense and risk.

7.4. Bent Hansen A/S is not liable for errors or deficiencies that can be attributed to the purchaser itself producing customer material or other things for the delivery.

7.5. Bent Hansen A/S is not liable for errors or defects attributable to natural wear and tear caused by improper use, excessive scratching/scraping/rubbing of objects on a surface, the use of abrasives, or cleaning products, or placing hot or cold objects on surfaces.

7.6. Bent Hansen A/S is not liable for changes in product colour, grain or texture that can be attributed to elapsed time, exposure to natural or artificial light, or direct heat, cold or moisture exposure.

7.7. Bent Hansen A/S is not liable for slight variations in the order's physical appearance compared to visual representations or descriptions provided by catalogues, samples, displays and websites. This applies to variations in colour and texture of wood and leather, for example, insect bites, folds due to the elasticity of the leather, fingermarks, dirt and sheen on dark and/or matt surfaces.

7.8. Bent Hansen A/S is not liable for small variations in the order's dimensions compared to the stated indicative dimensions in visual representations or descriptions that are provided by catalogues, samples, displays and websites.

8. Design and quality requirements for special production

8.1. The following requirements are posed for the purchaser's preparation of the item before processing if the purchaser has delivered the material. Reservations are made for errors and damage that are due to deficient preparation and which might only first appear after the processing.

8.2. If quality requirements are not agreed upon beforehand by referring to a reference item, drawing or other description, then Bent Hansen A/S makes it a precondition that the item be suitable for the agreed processing – including that it is possible to achieve a satisfactory result. If an examination by Bent Hansen A/S shows that the result of the agreed processing is uncertain, Bent Hansen A/S may withdraw from the agreement or demand that the purchaser declare in writing that it recognises and accepts that it will not assert claims for deficiencies against Bent Hansen A/S if the purchaser regardless does not wish the items to be processed as agreed. If in the tender documents both the result requirement as well as the processing method are specified, then the processing method will take precedence in the event of any discrepancies.

9. Product liability

9.1. For product liability, the rules applicable at any point in time under Danish law shall apply. Bent Hansen A/S is however never liable for operating losses, lost earnings, consequential damages or other indirect losses of expenses.

9.2. Bent Hansen is not liable for damage inflicted by the delivery

9.2.1. on third parties, real estate or moveables that arises while the delivery is in the purchaser's possession or resold to a third party.

9.2.2. on products that are produced by the purchaser or on products in which these are used in, or for damage to third parties, real estate or moveables that these products cause in consequence of the item.

9.3. The purchaser shall indemnify Bent Hansen A/S to the extent that liability is imposed on Bent Hansen A/S to third parties for such damage or such losses that Bent Hansen A/S pursuant to the above is not liable for to the purchaser.

9.4. If a third party files a claim against Bent Hansen A/S, then the purchaser is obligated to allow a IOakal action to be brought against itself in the same court, which addresses the claim for compensation against Bent Hansen A/S.

10. Choice of law and disputes

10.1. Any dispute that might arise between Bent Hansen A/S and the purchaser must be resolved with respect to Danish law and at the court in Aalborg.

Primum Bar Stool

Design: Bent Hansen Studio

Type	Upholstered bar stool
Dimensions Bar Stool Low	H: 85,5 cm, W: 46, D: 48 cm, seat height: 65 cm, seat depth: 38 cm
Dimensions Bar Stool High	H: 99,5 cm, W: 46, D: 49,5 cm, seat height: 79 cm, seat depth: 38 cm
Ben	Black powder coated steel or brushed stainless steel.
Glides	Standard without felt. Felt glides available for purchase. The customers will have to replace the glides themselves.
Upholstery	High resilience foam
Com.	Not all types of fabric and leather are suitable for Primum Bar Stool. Com. materials must be pre-approved. Fabric: 0.7 m Leather: 1.5 m ²

Fabric	Fixed base				Swivel base			
	Black		Stainless		Black		Stainless	
	Low	High	Low	High	Low	High	Low	High
01	719	728	771	781	762	770	819	822
02	746	755	798	807	788	797	845	849
03	772	781	824	833	814	823	871	875
04	818	827	870	879	860	869	918	921
05	841	850	893	902	883	892	940	944
06	860	868	911	921	902	911	959	962
07	902	910	953	963	944	953	1001	1004
08	951	960	1003	1013	993	1002	1051	1054

Leather

09	901	886	922	931	948	958	1010	1014
10	982	992	1006	1015	1026	1036	1085	1089
11	1093	1085	1164	1174	1153	1163	1217	1221

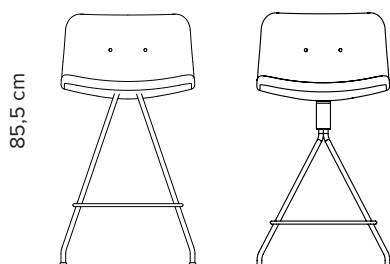
Com.

Fabric	679	688	731	740	721	730	778	782
Leather	713	713	756	765	746	755	803	807

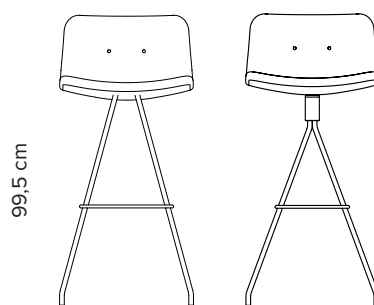
Surcharge

Felt glides	12
-------------	----

Primum Bar Stool Low



Primum Bar Stool High



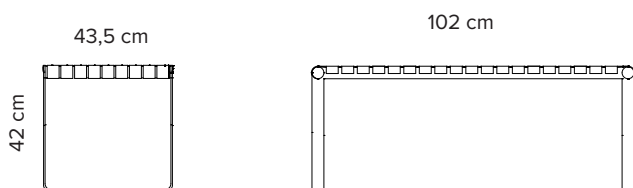
Plaited

Design: Bent Hansen Studio

Type	Bench
Dimensions	H: 42 cm, W: 43,5 cm, L: 102 cm. Other lengths on request.
Webbing	Black nylon or grain leather in black or nature
Frame	Black powder coated steel

Black nylon	1043
Grain leather, black	1437
Grain leather, nature	1437

Plaited



Asger Chair

Design: Asger Soelberg

Type	Wooden chair
Dimensions	H: 80 cm, W: 58 cm, D: 52,5 cm Seat heigh without upholstery: 43,5 cm, seat height with upholstery: 44,5 cm, seat depth: 46 cm Seat width: 46 cm, arm rest height: 69 cm (measured 18 cm from frint edge)
Material	Oak: oiled, black lacquered or smoked oiled
Glides	Standard with felt
Upholstery	10 mm 50 kg high resilience foam
Com.	Not all types of fabric and leather are suitable for Asger Chair. Com. materials must be pre-approved. Fabric: 0.6 m Leather: 0.7 m ²

	Oak, oiled	Oak, black lacquered	Oak, smoked oiled
Wooden seat			
Oak, oiled	937		
Oak, black lacquered		937	
Oak, smoked oiled			1012

Upholstered seat, fabric

01	998	998	1192
02	1019	1019	1213
03	1040	1040	1234
04	1077	1077	1271
05	1095	1095	1289
06	1142	1146	1304
07	1143	1143	1338
08	1183	1183	1378

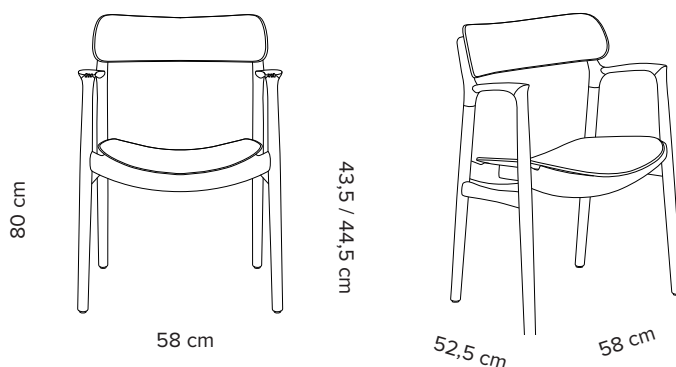
Upholstered seat, leather

09	985	985	1052
10	1060	1060	1137
11	1109	1109	1174

Com.

Fabric	965	965	1160
Leather	965	965	1160

Asger



Primum Chair Fixed base and Swivel base

Design: Bent Hansen Studio

Type	Upholstered dining chair with or without arms
Dimensions	Dimensions depend on model. See below.
Base	Black powder coated steel or brushed stainless steel.
Glides	Standard without felt. Felt glides available for purchase. The customers will have to replace the glides themselves.
Upholstery	High resilience foam
Com.	Not all types of fabric and leather are suitable for Primum Chair. Com. materials must be pre-approved. Chair w/o armrest: fabric: 0.9 m / leather: 1.6 m ² Chair w/ armrest: fabric: 1 m / leather: 1.8 m ²

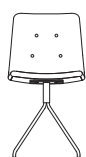
Fabric	Chair w/o armrest				Chair w/ armrest			
	Fixed base		Swivel base		Fixed base		Swivel base	
	Black	Stainless	Black	Stainless	Black	Stainless	Black	Stainless
01	601	637	694	770	775	810	869	945
02	635	670	728	804	813	848	906	982
03	669	704	762	837	850	885	943	1019
04	728	764	821	897	916	951	1010	1086
05	757	793	850	926	948	984	1042	1118
06	781	817	874	950	975	1010	1069	1145
07	835	871	928	1004	1035	1070	1129	1205
08	899	935	993	1068	1106	1142	1200	1276

Leather								
09	705	742	803	881	906	942	975	1070
10	823	858	922	998	1034	1068	1133	1210
11	919	957	1020	1101	1150	1188	1250	1332

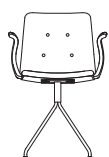
Com.								
Fabric	549	584	642	718	717	752	810	886
Leather	556	591	650	725	734	769	827	903

Surcharge	
Felt glides	12

Primum Chair, Fixed base



H: 80 cm
D: 54 cm
Seat height: 45 cm
Seat depth: 44 cm
Seat width: 44 cm
Base width: 36 cm

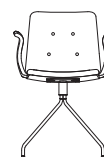


H: 80 cm
D: 54 cm
Seat height: 45 cm
Seat depth: 44 cm
Seat width: 44 cm
Base width: 36 cm
Arm rest height: 69 cm
Arm rest to arm rest: 56 cm

Primum Chair, Swivel base



H: 80 cm
D: 54 cm
Seat height: 45 cm
Seat depth: 44 cm
Seat width: 44 cm
Base width: 45 cm



H: 80 cm
D: 54 cm
Seat height: 45 cm
Seat depth: 44 cm
Seat width: 44 cm
Base width: 45 cm
Arm rest height: 69 cm
Arm rest to arm rest: 56 cm

Primum Chair base w/ castors and regular base

Design: Bent Hansen Studio

Type	Upholstered chair with or without arms
Dimensions	Dimensions depend on model. See below.
Base	Black powder coated steel or brushed stainless steel.
Castors	Suitable for all types of flooring
Upholstery	High resilience foam
Com.	Not all types of fabric and leather are suitable for Primum Chair. Com. materials must be pre-approved. Chair w/o armrest: fabric: 0.9 m / leather: 1.6 m ² Chair w/ armrest: fabric: 1 m / leather: 1.8 m ²

Fabric	Chair w/o armrest				Chair w/ armrest			
	Base w/ castors (not as swivel chair)		Regular base		Base w/ castors (not as swivel chair)		Regular base	
	Black	Stainless	Black	Stainless	Black	Stainless	Black	Stainless
01	646	734	Price on request		820	908	Price on request	
02	679	768			857	946		
03	713	801			894	983		
04	772	861			961	1049		
05	802	890			993	1082		
06	826	914			1020	1108		
07	880	968			1080	1168		
08	944	1032			1151	1240		

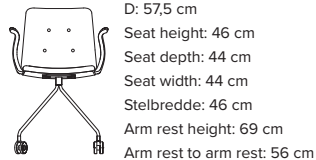
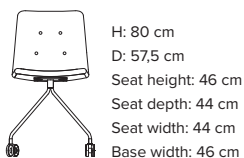
Leather

09	743	833	Price on request		942	1032	Price on request	
10	873	961			1085	1174		
11	967	1061			1198	1293		

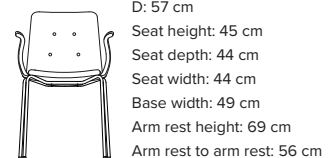
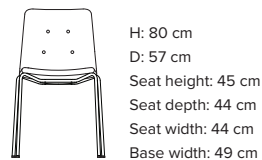
Com.

Fabric	593	681	Price on request		762	850	Price on request	
Leather	601	689			779	867		

Primum Chair, base w/ castors



Primum Chair, base w/ castors



Primum Chair Dynamic

Design: Bent Hansen Studio

Type	Upholstered chair with or without arms
Dimensions	Dimensions depend on model. See below
Ben	Swivel frame with return swivel and tilt. Black textured lacquered aluminium or with polished aluminium.
Glides	Standard without felt. Felt glides available for purchase. The customers will have to replace the glides themselves.
Upholstery	High resilience foam
Com.	Not all types of fabric and leather are suitable for Primum Chair. Com. materials must be pre-approved. Chair w/o armrest: Fabric: 0.9 m / Leather: 1.6 m ² Chair w/ armrest: Fabric: 1 m / Leather: 1.8 m ²

Fabric	Chair w/o armrest				Chair w/ armrest			
	Dynamic base		Dynamic base w. castors		Dynamic base		Dynamic base w. castors	
	Black	Polish	Black	Polish	Black	Polish	Black	Polish
01	831	879	923	914	1014	1062	1107	1098
02	865	913	957	948	1052	1100	1144	1135
03	898	947	990	981	1089	1137	1181	1173
04	958	1006	1050	1041	1155	1203	1248	1239
05	987	1035	1079	1070	1188	1236	1280	1271
06	1011	1059	1103	1094	1215	1262	1307	1298
07	1065	1113	1157	1148	1275	1322	1367	1358
08	1129	1177	1221	1212	1346	1394	1438	1429

Leather

09	927	975	1012	1004	1081	1128	1195	1187
10	1040	1087	1123	1115	1235	1282	1318	1310
11	1141	1190	1228	1220	1352	1402	1441	1432

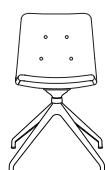
Com.

Fabric	779	827	871	862	956	1004	1049	1040
Leather	806	854	891	883	974	1022	1060	1051

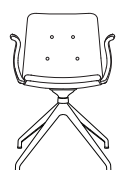
Surcharge

Felt glides	12
-------------	----

Primum Chair, dynamic base

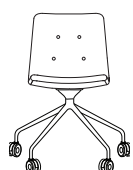


H: 81 cm
D: 53,5 cm
Seat height: 46 cm
Seat depth: 44 cm
Seat width: 44 cm
Base width: 49,5 cm



H: 81 cm
D: 53,5 cm
Seat height: 46 cm
Seat depth: 44 cm
Seat width: 44 cm
Base width: 49,5 cm
Arm rest height: 69 cm
Arm rest to arm rest: 56 cm

Primum Chair, dynamic base w/ castors



H: 81 cm
D: 60,5 cm
Seat height: 46 cm
Seat depth: 44 cm
Seat width: 44 cm
Base width: 52 cm



H: 81 cm
D: 60,5 cm
Seat height: 46 cm
Seat depth: 44 cm
Seat width: 44 cm
Base width: 52 cm
Arm rest height: 69 cm
Arm rest to arm rest: 56 cm

Primum Chair spare parts

Design: Bent Hansen Studio

Type Spare parts for Primum Chair

Fabric	Armrest set	Seat	Seat + armrest set
01	231	522	712
02	243	556	750
03	254	589	787
04	274	649	853
05	283	678	886
06	291	702	912
07	309	756	972
08	331	820	1044

Leather

09	278	598	807
10	337	744	972
11	351	779	1010

Com.

Fabric: m	0.3	0.9	1
Fabric	214	470	654
Leather: m ²	0.65	1.6	1.8
Leather	229	478	672

Base	Black powder coated steel	Brushed stainless steel	Black textured lacquered aluminium	Polished aluminium
Fixed base	205	240		
Swivel base	298	373		
Base w/ castors	249	337		
Dynamic base			427	475
Dynamic base w/ castor			519	510

Felt glides

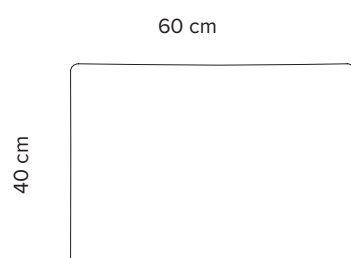
12

Type	Cushion
Dimensions	H: 40 cm, L: 60 cm
Filling	Feather and fiber mix

Relief

273

Relief



Type	Desk
Dimensions	H: 73,5 cm, L: 120 cm, W: 51 cm, tabletop thickness: 2,5 cm.
Legs	Matt lacquered oak or matt black lacquered beech legs
Steel trestle	Black powder coated
Table top edge	The edge of the table top matches the colour of the legs. Legs in matt lacquered oak = table top edge in oak. Legs in black lacquered beech = table top edge in black.

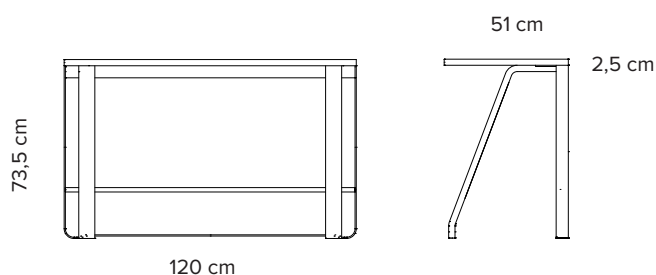
Table top	Matt lacquered oak legs	Matt black lacquered beech legs
Oak veneer (matt lacquered)	1031	
Black linoleum	936	893
Smokey blue linoleum	991	923
Conifer green linoleum	946	934

Table top w. power socket incl. USB-A/USB-C		
Oak veneer (matt lacquered)	1161	
Black linoleum	1054	998
Smokey blue linoleum	1116	1052
Conifer green linoleum	1055	1028

Table top w. drawer		
Oakefiner (matt lacquered)	1172	
Black linoleum	1075	1019
Smokey blue linoleum	1127	1052
Conifer green linoleum	1083	1060

Table top w. power socket incl. USB-A/USB-C and drawer		
Oak veneer (matt lacquered)	1289	
Black linoleum	1182	1124
Smokey blue linoleum	1267	1182
Conifer green linoleum	1183	1154

Hemingway



Meet Table

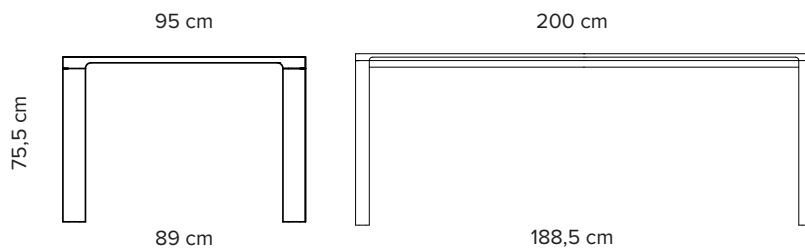
Design: Says Who

Type	Table
Dimensions	H: 75,5 cm, L: 200 cm, W: 95 cm, table top: 1,5 cm Distance from floor to frame: 69,5 cm Distance between table legs (floor level): 188,5 cm / 89 cm
Table top	FENIX NTM laminate on MDF board with oiled, solid oak edges
Legs	Black textured coated steel

0720 Nero Ingo

3002

Meet Table



Primum Table

Design: Bent Hansen Studio

Type	Table
Dimensions	<p>Diameter 120 cm, H: 73,5 cm, extension leaf: 51,5 cm, table top: 3 cm</p> <p>Distance between table legs (floor level), w/o extension leaves: 66 cm / 66 cm</p> <p>Distance between table legs (floor level), 1 extension leaf: 117,5 cm / 66 cm</p> <p>Distance between table legs (floor level), 2 extension leaves: 169 cm / 66 cm</p> <p>Diameter 140 cm, H: 73,5 cm, table top: 3 cm</p> <p>Distance between table legs (floor level): 81 cm</p>
Table top	<p>Oak veneer (matt lacquered oak)</p> <p>Walnut veneer</p> <p>Black linoleum with oak edge</p>
Extension leaves	Black linoleum (only available for Ø120 cm - max 2 leaves)
Table legs	Black powder coated steel, brushed stainless steel, matt lacquered oak or matt black lacquered beech

Table Ø120 cm (extension)	Table top oak veneer	Table top black linoleum	Table top walnut veneer
Legs black powder coated steel	1923	1638	2016
Legs brushed stainless steel	2145	1752	2221
Legs matt lacquered oak	1991	1715	
Legs matt black lacquered beech	1985	1715	2094

Surcharge

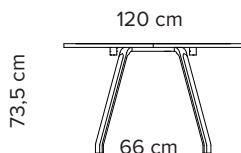
Extension leaf black linoleum	457
-------------------------------	-----

Table Ø140 cm

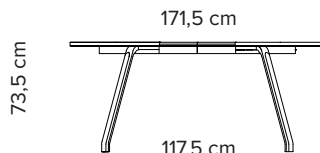
Legs black powder coated steel	1922	1636	
Legs brushed stainless steel	2132	1754	
Legs matt lacquered oak	1992	1716	
Legs matt black lacquered beech	1992	1716	

Primum Table Ø120 cm

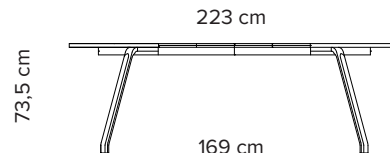
w/o extension leaves



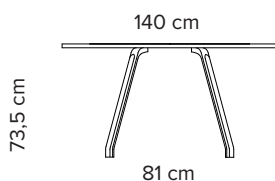
1 extension leaf



2 extension leaves



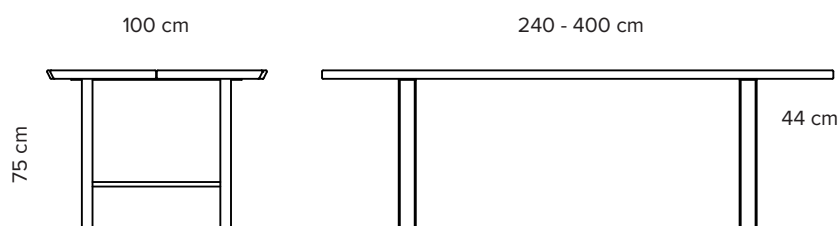
Primum Table Ø140 cm



Type	Plank table
Dimensions	H: 75 cm, L: 240-400 cm, W: 100 cm, plank thickness 4 cm Distance from head of the table to legs: 44 cm Placement of table legs can be changed by request
Table top	Two oak planks made of three broad rods glued together. Live edges. Available in oiled oak and smoked oak
Table legs	Black powder coated steel

Lenght:	Table top in oiled oak	Table top in smoked oak
240 cm	4752	6634
260 cm	5010	7009
280 cm	5192	7314
300 cm	5841	8213
320 cm	6145	8693
340 cm	6449	9124
360 cm	6874	9647
380 cm	7202	10127
400 cm	7792	10888

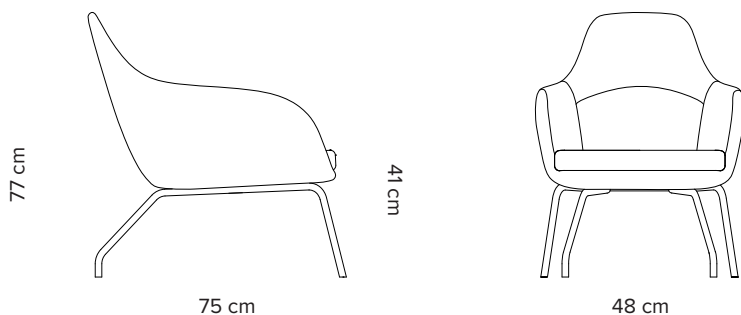
Track



Type	Lounge chair
Dimensions	H: 77 cm, W: 48 cm, D: 75 cm Seat height: 41 cm Seat depth: 46 cm
Legs	Black powder coated steel or brushed stainless steel
Upholstery	Cast MDI. Down top seat. Super-soft foam as lower back support.
Com.	Not all types of fabric and leather are suitable for Asento. Com. materials must be pre-approved. Fabric: 2.1 m Leather: 5 m ²

	Black powder coated legs	Brushed stainless legs
Fabric		
01	2116	2156
02	2188	2228
03	2259	2299
04	2386	2425
05	2447	2487
06	2498	2538
07	2613	2653
08	2749	2789
Leather		
09	2582	2626
10	3039	3082
11	3146	3190
Com.		
Fabric	2005	2045
Leather	2005	2045

Asento



Asger Lounge Chair

Design: Asger Soelberg

Type	Wooden lounge chair
Dimensions	H: 77,5 cm, W: 70 cm, D: 63,5 cm Seat height without upholstery: 41 cm, seat height with upholstery: 42 cm Seat depth: 56 cm, seat width: 56 cm Arm rest height: 66,5 cm (measured from front edge))
Material	Oak: oiled, black lacquered or smoked oiled
Glides	Standard with felt
Upholstery	10 mm 50 kg High resilience foam
Com.	Not all types of fabric and leather are suitable for Asger Lounge Chair. Com. materials must be pre-approved. Fabric: 0.7 m Leather: 0.7 m ²

Wooden seat	Oak, oiled	Oak, black lacquered	Oak, smoked oiled
Oak, oiled	1249		
Oak, black lacquered		1307	
Oak, smoked oiled			1405

Upholstered seat, fabric

01	1385	1385	1460
02	1414	1414	1489
03	1443	1443	1518
04	1495	1495	1570
05	1520	1520	1595
06	1554	1558	1656
07	1588	1588	1663
08	1644	1644	1719

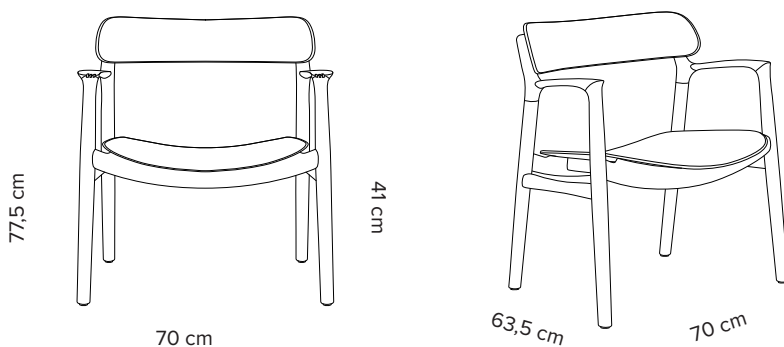
Upholstered seat, leather

09	1448	1447	1549
10	1465	1465	1561
11	1514	1514	1616

Com.

Fabric	1339	1339	1414
Leather	1339	1339	1414

Asger Lounge Chair



Primum Lounge Chair

Design: Bent Hansen Studio

Type	Upholstered lounge chair with swivel base
Dimensions	Dimensions depend on model. See below
Base	Black powder coated steel or brushed stainless steel
Glides	Standard without felt. Felt glides available for purchase. The customers will have to replace the glides themselves.
Upholstery	High resilience foam
Com.	Not all types of fabric and leather are suitable for Primum Lounge Chair. Com. materials must be pre-approved. Lounge chair w/o armrest: fabric: 1.5 m / leather: 3 m ² Lounge chair w/ armrest: fabric: 1.7 m / leather: 4 m ²

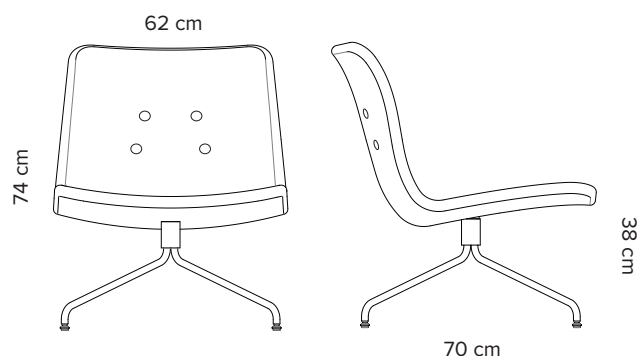
Fabric	Chair w/o armrest		Chair w/ armrest	
	Black legs	Brushed stainless legs	Black legs	Brushed stainless legs
01	1112	1163	1401	1453
02	1170	1221	1467	1518
03	1227	1278	1532	1583
04	1330	1381	1648	1700
05	1379	1431	1705	1756
06	1421	1472	1752	1803
07	1514	1565	1857	1908
08	1624	1675	1982	2033

Leather				
09	1401	1457	1856	1913
10	1570	1621	2079	2132
11	1762	1817	2356	2477

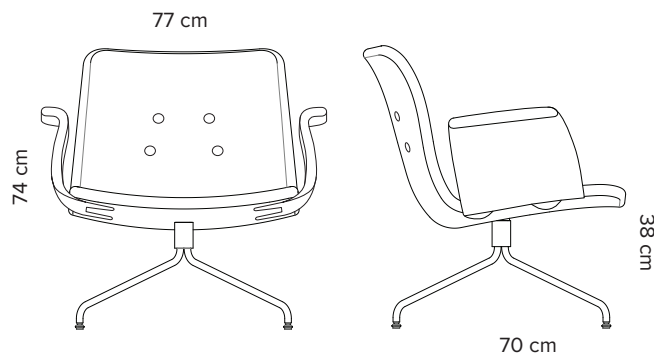
Com.				
Fabric	992	1041	1261	1311
Leather	992	1041	1261	1311

Surcharge	
Felt glides	12

Primum Lounge Chair w/o armrest



Primum Lounge Chair w/ armrest



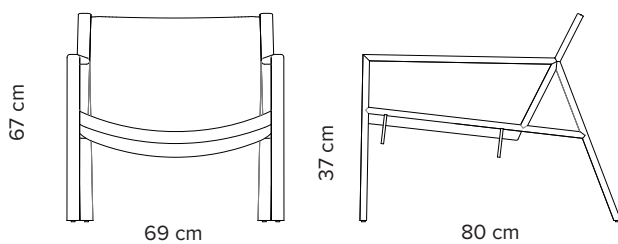
Tension Lounge Chair

Design: Says Who

Type	Lounge chair
Dimensions	H: 67 cm, L: 80 cm, W: 69 cm, seat height: 37 cm
Cover	Grain leather
Legs	Black textured coated steel
Glides	Not suitable for wooden floors. Glides suitable for wooden floors on request.

Black	2844
Natur	2787

Tension Lounge Chair



Type	Round pouffe with Ø10 cm button
Dimensions	H: 37 cm, diameter 80 cm
Filling	PU-skum (Polyurethane)
Com.	Not all types of fabric and leather are suitable for Belly. Com. materials must be pre-approved. Fabric: 2.5 m Leather: 5.5 m ²

Fabric

01	677
02	752
03	826
04	959
05	1023
06	1077
07	1197
08	1340

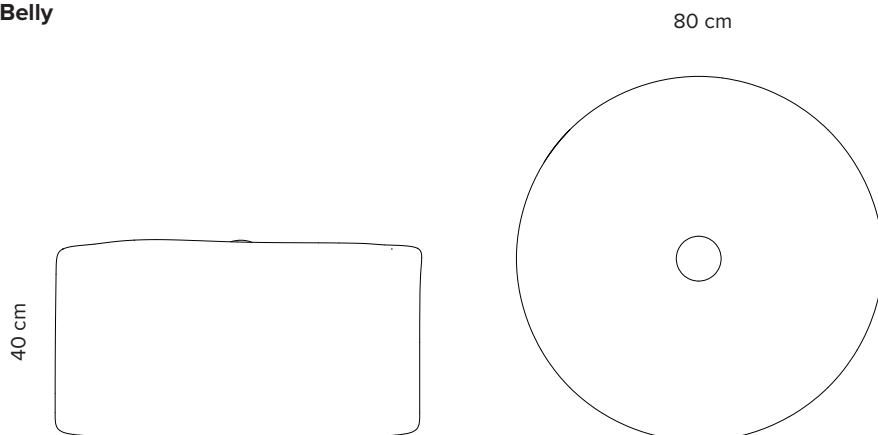
Leather

09	718
10	1379
11	1448

Com.

Fabric	561
Leather	561

Belly



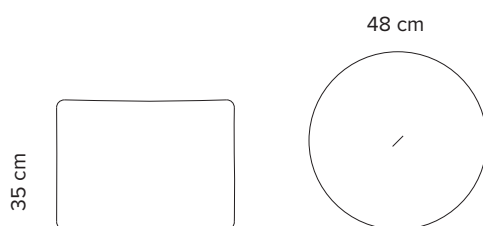
Type	Round pouffe with a small rubber band mounted on the top
Variants	M48: H: 35 cm, diameter 48 cm M55: H: 37 cm, diameter 55 cm
Filling	PU foam (Polyurethane)
Com.	Not all types of fabric and leather are suitable for Marokko. Com. materials must be pre-approved. M48: fabric: 1 m / leather: 2.5 m ² M55: fabric: 1.5 m / leather: 2.8 m ²

Fabric	M48	M55
01	298	339
02	338	399
03	377	458
04	448	564
05	482	615
06	510	658
07	574	753
08	649	866

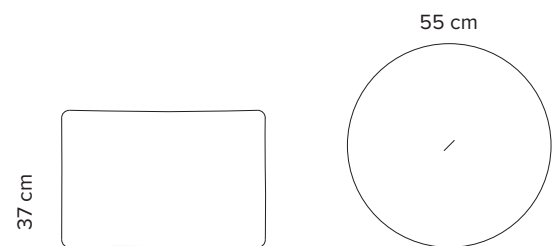
Leather	M48	M55
Zenzo 2 colour: 207 (black)	311	340
09	436	470
10	678	741
11	882	966

Com.	M48	M55
Fabric	236	247
Leather	236	247

M48



M55



Type	Square pouffe with a small rubber band mounted on the top
Dimensions	40 cm x 40 cm x 40 cm
Filling	PU foam (Polyurethane)
Com.	Not all types of fabric and leather are suitable for Otto. Com. materials must be pre-approved. Fabric: 0.9 m Leather: 1.2 m ²

Fabric

01	261
02	297
03	332
04	395
05	426
06	452
07	509
08	577

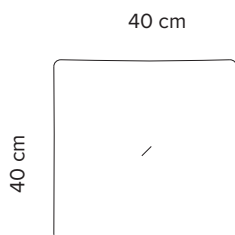
Leather

Zenso 2 colour: 207 (black)	281
09	301
10	417
11	533

Com.

Fabric	205
Leather	205

Otto



Cushions | Benches

Design: Bent Hansen Studio

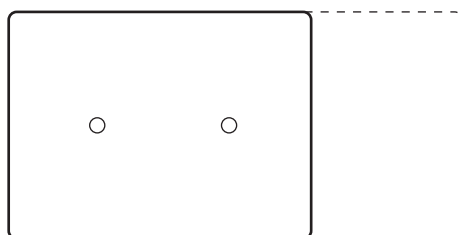
Type	Cushions for various benches
Dimensions	Depend on model
Variants	Plain W/ buttons Luxury (incl. buttons and squares)
Cover	Zenzo 2 leather, colour 207 (black) or 223 (cognac)

Model	Manufacturer	Cushion dimensions	Plain	W/ buttons	Luxury
Cutter 40 x 121 cm	Fritz Hansen / Skagerak	40 x 100 cm	602	602	783
Monterey 40 x 120 cm	Montana	40 x 120 cm	702	702	913
MON80 40 x 80 cm	Montana	40 x 80 cm	511	511	664
MONTSK 40 x 100 cm	Montana	40 x 100 cm	602	602	783

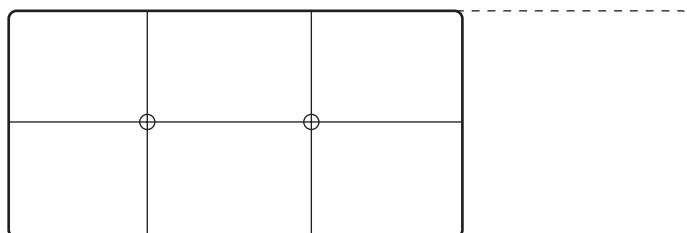
Plain



W/ buttons



Luxury (incl. buttons and squares)



Cushions | Chairs - see prices on p. 32

Page 27-31 show which cushions are available. Is your chair not listed, we can custom make a cushion: a surcharge for the model work will be charges. See price on p. 32.

Model	Manufacturer	Stock items selected models only	Custom-made cushions		
2D	Gubi		8 mm	17 mm	
3D	Andersen		8 mm	17 mm	
4-Cast Line	Four Design		8 mm	17 mm	
13eighty Chair	Hay		8 mm	17 mm	
40/4	Howe		8 mm	17 mm	
3101	Fritz Hansen	8 mm stock item	8 mm	17 mm	
3107	Fritz Hansen	8 mm stock item	8 mm	17 mm	
3107 Junior	Fritz Hansen		8 mm	17 mm	
3108	Fritz Hansen		8 mm	17 mm	
3110	Fritz Hansen	8 mm stock item	8 mm	17 mm	30 mm
AAC12	Hay		8 mm	17 mm	
AAC22	Hay	8 mm stock item	8 mm	17 mm	
AAS32	Hay		8 mm	17 mm	
AAVA	Arper		8 mm	17 mm	
Acapulco	Officina Kreativa				30 mm
Agitari	Fredericia		8 mm	17 mm	
Arco	Vizion Furniture		8 mm	17 mm	
Avanti	Danerka		8 mm	17 mm	
Babila 2755	Pedrali		8 mm	17 mm	
Beetle Chair	Gubi		8 mm	17 mm	
Belleville	Vitra		8 mm	17 mm	
Bilbao	Bernstoffsminde		8 mm	17 mm	30 mm
BM 1	Bernstoffsminde				30 mm
BM 2	Bernstoffsminde				30 mm XL
BM 400 Kirkestol	Bernstoffsminde				30 mm
BM 460 Kirkestol m. arm	Bernstoffsminde				30 mm
BM 61	Bernstoffsminde				
BM 86	Bernstoffsminde				30 mm
BM 87	Bernstoffsminde				30 mm
Bonn	Tangso		8 mm	17 mm	
Campus	Lammhults		8 mm	17 mm	
Catifa 46	Arper		8 mm	17 mm	
Catifa 53	Arper		8 mm	17 mm	
CH 18A	Carl Hansen				30 mm XL
CH 22	Carl Hansen				30 mm XL
CH 23	Carl Hansen				30 mm
CH 24	Carl Hansen	30 mm stock item	8 mm	17 mm	30 mm
CH 25	Carl Hansen				30 mm
CH 26	Carl Hansen				30 mm
CH 28	Carl Hansen		8 mm	17 mm	30 mm XL
CH 29	Carl Hansen		8 mm	17 mm	30 mm
CH 33	Carl Hansen		8 mm	17 mm	

Cushions | Chairs - see prices on p. 32

Page 27-31 show which cushions are available. Is your chair not listed, we can custom make a cushion: a surcharge for the model work will be charges. See price on p. 32.

Model	Manufacturer	Stock items selected models only	Custom-made cushions		
CH 36	Carl Hansen				30 mm XL
CH 37	Carl Hansen				30 mm
CH 44	Carl Hansen	Contact us for quote			
CH 46	Carl Hansen				30 mm
CH 47	Carl Hansen				30 mm
CH 53	Carl Hansen				30 mm
CH 88	Carl Hansen		8 mm	17 mm	
Chair 69	Artek		8 mm	17 mm	
Chair First	Magis		8 mm	17 mm	
Chair One	Magis		8 mm	17 mm	
Chairik	Engelbrecht		8 mm	17 mm	
Cirkum	Radius		8 mm	17 mm	
Classic	Danerka		8 mm	17 mm	
Cobra	Kallemoe		8 mm	17 mm	
Componibili Ø30	Kartell		8 mm	17 mm	
Componibili Ø40	Kartell		8 mm	17 mm	
Copenhagen Chair	Hay		8 mm	17 mm	
Cyborg	Magis		8 mm	17 mm	
Dalarö	Art Form				30 mm
DAR	Vitra	8 mm stock item	8 mm	17 mm	30 mm
DAW	Vitra	8 mm stock item	8 mm	17 mm	30 mm
DAX	Vitra	8 mm stock item	8 mm	17 mm	30 mm
Daydream	Andersen		8 mm	17 mm	
Dr. No	Kartell		8 mm	17 mm	30 mm
DSR	Vitra	8 mm stock item	8 mm	17 mm	30 mm
DSS-N	Vitra	8 mm stock item	8 mm	17 mm	30 mm
DSW	Vitra	8 mm stock item	8 mm	17 mm	30 mm
Eros	Kartell		8 mm	17 mm	
Excelsa 9050	Stolab		8 mm	17 mm	
Face	Kristalia		8 mm	17 mm	
Fiber Arm Chair	Muuto	8 mm stock item	8 mm	17 mm	
Fiber Side Chair	Muuto		8 mm	17 mm	
Flow Chair	Mdf Italia		8 mm	17 mm	
Fly	Danerka		8 mm	17 mm	
Forest	Fastdesign		8 mm	17 mm	30 mm
Form Chair	Normann Cph		8 mm	17 mm	
FourMe 44	Four Design		8 mm	17 mm	
FourSure 44	Four Design		8 mm	17 mm	
Getama 9871	Getama		8 mm	17 mm	
Gio	Bon Tempì		8 mm	17 mm	

Cushions | Chairs - see prices on p. 32

Page 27-31 show which cushions are available. Is your chair not listed, we can custom make a cushion: a surcharge for the model work will be charges. See price on p. 32.

Model	Manufacturer	Stock items selected models only	Custom-made cushions		
Gliss	Andersen		8 mm	17 mm	
Grand Prix	Fritz Hansen		8 mm	17 mm	
Groovy	Holmris B8		8 mm	17 mm	
HAL	Vitra		8 mm	17 mm	
Hee Bar Stool	Hay		8 mm	17 mm	
Hee Dining Chair	Hay		8 mm	17 mm	
Ice	Fritz Hansen		8 mm	17 mm	
Imprint	Lammhults		8 mm	17 mm	
In Between	&Tradition		8 mm	17 mm	
J16	Fredericia	Contact us for quote			
J39	Fredericia				30 mm
J46	Fredericia		8 mm	17 mm	
J49	FDB		8 mm	17 mm	
J64	Fredericia		8 mm	17 mm	
J77	Hay		8 mm	17 mm	
J104	Hay		8 mm	17 mm	
J110	Hay		8 mm	17 mm	
J151	Erik Jørgensen				30 mm
Jackpot	Danerka		8 mm	17 mm	
JLM 62	N. O. Møller				30 mm
JLM 67	N. O. Møller				30 mm
JLM 71	N. O. Møller				30 mm
JLM 75	N. O. Møller				30 mm
JLM 78	N. O. Møller				30 mm
JLM 79	N. O. Møller				30 mm
JLM 84	N. O. Møller				30 mm
JLM 85	N. O. Møller		8 mm	17 mm	
JW01	Hay		8 mm	17 mm	
K818	Erik Magnussen		8 mm	17 mm	
Kevi 2003	Engelbrechts		8 mm	17 mm	
Leopard	Naver		8 mm	17 mm	
Lilla Åland	Stolab		8 mm	17 mm	
Lilla Åland karmstol	Stolab		8 mm	17 mm	
Log	Rumas		8 mm	17 mm	
Loop	Infiniti		8 mm	17 mm	
Louis Ghost	Kartell		8 mm	17 mm	
Masters	Kartell	8 mm stock item	8 mm	17 mm	
Maui	Kartell		8 mm	17 mm	
Minsker	Danerka		8 mm	17 mm	
Miss Holly	Stolab		8 mm	17 mm	
Must	Radius		8 mm	17 mm	

Cushions | Chairs - see prices on p. 32

Page 27-31 show which cushions are available. Is your chair not listed, we can custom make a cushion: a surcharge for the model work will be charges. See price on p. 32.

Model	Manufacturer	Stock items selected models only	Custom-made cushions		
			8 mm	17 mm	
Mya	Andersen		8 mm	17 mm	
Nap	Fritz Hansen		8 mm	17 mm	
Nemea 2820	Pedrali		8 mm	17 mm	
Neu Chair	Hay		8 mm	17 mm	
Noor	RBM / Flokk		8 mm	17 mm	
Ocean	Skagerak		8 mm	17 mm	
Ola	Boss design		8 mm	17 mm	
Olivia	Rexite		8 mm	17 mm	
Orbit	Danerka		8 mm	17 mm	
PACC	Vitra	8 mm stock item	8 mm	17 mm	
Panton Chair (dining)	Vitra		8 mm	17 mm	
Panton One	Montana		8 mm	17 mm	
Papyrus	Kartell		8 mm	17 mm	
Pato	Fredericia		8 mm	17 mm	
Pause	Magnus Olesen		8 mm	17 mm	
Pia Chair	dk3		8 mm	17 mm	30 mm
Pila	Magis		8 mm	17 mm	30 mm
Pipe	Magis		8 mm	17 mm	
PK8	Fritz Hansen		8 mm	17 mm	
PP 56	PP Møbler				30 mm XL
PP 62	PP Møbler				30 mm XL
PP 63	PP Møbler				30 mm XL
PP 66	PP Møbler				30 mm XL
PP 68	PP Møbler				30 mm
PP 201	PP Møbler				30 mm XL
PP 205	PP Møbler				30 mm XL
PP 209	PP Møbler				30 mm XL
PP 501	PP Møbler				30 mm XL
PP 503	PP Møbler				30 mm XL
PP 550	PP Møbler				30 mm XL
Puma	Kallemoe		8 mm	17 mm	
Rail	Radius		8 mm	17 mm	
Rap	Colico		8 mm	17 mm	
RAR	Vitra	8 mm stock item	8 mm	17 mm	30 mm
Rin	Fritz Hansen		8 mm	17 mm	
Rondo	Danerka		8 mm	17 mm	
Sadelöga	Art Form				30 mm
Scandia Junior	Fjord Fiesta		8 mm	17 mm	
Scandia Senior	Fjord Fiesta		8 mm	17 mm	
Soft Edge 10	Hay		8 mm	17 mm	

Cushions | Chairs - see prices on p. 32

Page 27-31 show which cushions are available. Is your chair not listed, we can custom make a cushion: a surcharge for the model work will be charges. See price on p. 32.

Model	Manufacturer	Stock items selected models only	Custom-made cushions		
			8 mm	17 mm	30 mm
Soft Edge 30	Hay		8 mm	17 mm	
Spira	Lammhults		8 mm	17 mm	
Steelwood	Magis		8 mm	17 mm	
Søborg	Fredericia		8 mm	17 mm	
Tango	Cube		8 mm	17 mm	
Tempa	Fredericia		8 mm	17 mm	
Thonet 215 R	Thonet		8 mm	17 mm	30 mm
Thonet S43	Thonet		8 mm	17 mm	
Tolix A	Tolix		8 mm	17 mm	
Tolix Stool	Tolix		8 mm	17 mm	
Tonje	Tonning & Stryn		8 mm	17 mm	
Trend	Andersen		8 mm	17 mm	
Trinidad	Fredericia	8 mm stock item	8 mm	17 mm	30 mm
Vang	Tonning & Stryn		8 mm	17 mm	
Vico Duo	Fritz Hansen		8 mm	17 mm	
Victoria Ghost	Kartell		8 mm	17 mm	
Visu Chair	Muuto		8 mm	17 mm	
Visu Lounge Chair	Muuto	Contact us for quote			
Whisper	Fumac		8 mm	17 mm	
Zentio	Andersen		8 mm	17 mm	
Ø 26 cm - 45,5 cm	Other		8 mm	17 mm	

Stock items

3101 3107 3110 AAC22 DAR/DAW/DAX/RAR/PACC DSR/DSS-N/DSW Fiber Arm Chair Masters Trinidad CH24	Leather	8 mm anti-slip underside	30 mm reversible
	Basic (black or cognac)	32	59
	Zenso 2, 207 (black)		98
	Surcharge		
	Buttons		37
	Button stiches		32

Custom-made cushions

Page 27-31 show which cushions are available. Is your chair not listed, we can custom make a cushion: a surcharge for the model work will be charges. See price on p. 32.

Not all types of fabric and leather are suitable for cushions. Com. materials must be pre-approved.

Fabric	8 mm anti-slip underside	17 mm anti-slip underside	30 mm reversible	30 mm XL reversible
01	66	117	130	140
02	73	125	153	162
03	81	132	175	184
04	94	146	214	223
05	100	152	233	242
06	106	158	249	258
07	118	170	284	294
08	132	184	326	336

Leather

09	112	169	197	209
10	147	203	214	248
11	212	286	319	370
12	81	144	153	166

Com.

Fabric: m	0.17	0.17	0.5	0.5
Fabric	54	106	96	106
Leather: m ²	0.42	0.42	0.84	0.84
Leather	54	106	96	106

Surcharge

Buttons			37	37
Button stiches			incl. in price	incl. in price
Model work				152

Do you want your cushions in another material? Please, contact us for quote.

Type	Full-cover with 20 mm high resilience foam or cotton wool core depending on model
Variants	Available in fabric or leather
Models	Available for the chairs listed below:
Com.	Not all types of fabric and leather are suitable for Full-cover. Com. materials must be pre-approved. Fabric: 1 m Leather: 1.5 m ²

Manufacturer	Model
Arper	Catifa 46
Fritz Hansen	3101 - on request
	3107
	Vico Duo
Vitra	DSR

Fabric

01	250
02	280
03	317
04	383
05	415
06	442
07	502
08	573

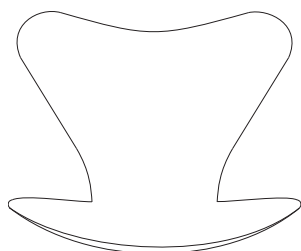
Leather

Zenzo 2 colour: 207 (black), 223 (cognac)	(Only 3107) 162
9	378
10	447
11	551

Com.

Fabric	184
Leather	184

Full-cover 3107



Luxury Cushions | Fabric

Design: Bent Hansen Studio

Type Cushions in fabric or leather. 40 mm high resilience foam core.
 Variants With or without buttons and squares*
 Com. Not all types of fabric and leather are suitable for Luxury Cushions. Com. materials must be pre-approved.

Dimensions cm	Fabric: m	Com.	Fabric							
			01	02	03	04	05	06	07	08

Width: 0-40

L: 40-60	0.64	319	356	381	404	447	467	485	523	568
L: 61-80	0.64	407	445	469	492	535	556	573	611	657
L: 81-100	0.64	476	514	538	561	604	624	642	680	726
L: 101-120	0.64	553	590	614	638	680	701	718	757	802
L: 121-140	1.45	568	653	707	761	857	904	943	1030	1133
L: 141-160	1.65	676	772	834	895	1005	1058	1102	1201	1319
L: 161-180	1.85	696	804	873	942	1065	1124	1174	1285	1417
L: 181-200	2.05	842	961	1039	1115	1251	1317	1372	1495	1641
L: 201-220	2.25	912	1043	1128	1211	1360	1433	1493	1628	1788
L: 221-240	2.45	932	1075	1167	1258	1420	1499	1565	1712	1886

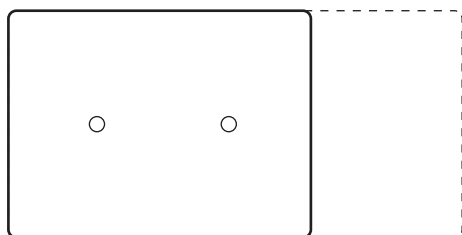
Width: 41-60

L: 41-60	0.65	367	405	429	454	497	518	535	574	620
L: 61-80	0.85	417	467	499	530	587	614	637	688	748
L: 81-100	0.75	486	530	558	586	636	660	680	725	778
L: 101-120	0.85	525	574	606	638	694	721	744	795	856
L: 121-140	1.45	580	664	719	773	869	915	954	1041	1145
L: 141-160	1.65	689	785	847	908	1017	1070	1115	1214	1331
L: 161-180	1.85	754	862	931	1000	1122	1182	1232	1343	1474
L: 181-200	2.05	831	950	1027	1104	1239	1305	1360	1483	1629
L: 201-220	2.25	908	1039	1123	1207	1356	1429	1489	1624	1784
L: 221-240	2.45	973	1116	1208	1299	1461	1540	1606	1753	1928

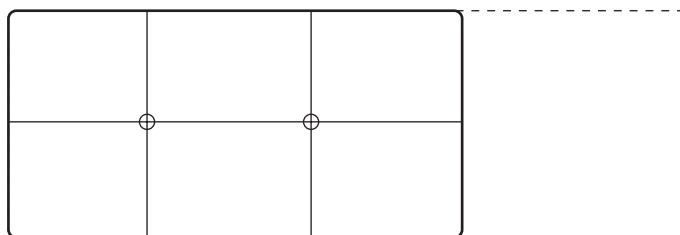
Surcharge*

Squares	30% of the cushion's price
Buttons	incl. in price

Do you want your cushions in another material? Please, contact us for quote.



With or without buttons



With or without squares

Luxury Cushions | Leather

Design: Bent Hansen Studio

Type Cushions in fabric or leather. 40 mm high resilience foam core.
 Variants With or without buttons and squares*
 Com. Not all types of fabric and leather are suitable for Luxury Cushions. Com. materials must be pre-approved.

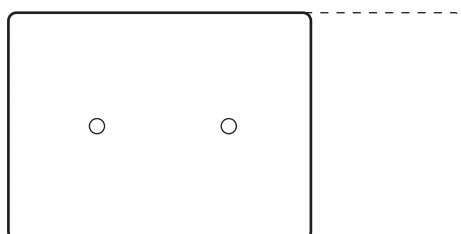
Dimensions cm	Leather: m ²	Com.	Leather		
			09	10	11
Width: 0-40					
L: 40-60	0.87	319	401	484	541
L: 61-80	1.1	407	511	616	689
L: 81-100	1.35	476	602	731	819
L: 101-120	1.6	553	702	854	957
L: 121-140	1.84	568	736	912	1025
L: 141-160	2.1	676	869	1069	1201
L: 161-180	2.4	696	914	1142	1287
L: 181-200	2.6	842	1082	1329	1492
L: 201-220	2.8	912	1170	1437	1613
L: 221-240	3.1	932	1211	1501	1688

Width: 41-60					
L: 41-60	1.6	367	479	596	671
L: 61-80	1.6	417	557	706	797
L: 81-100	2	486	656	837	946
L: 101-120	2	525	723	936	1061
L: 121-140	2.6	580	807	1054	1196
L: 141-160	3	689	949	1230	1394
L: 161-180	3.3	754	1041	1352	1533
L: 181-200	3.7	831	1150	1495	1695
L: 201-220	4	908	1256	1632	1851
L: 221-240	4.3	973	1350	1758	1994

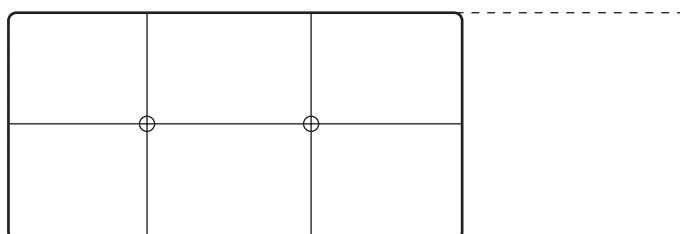
Surcharge*

Squares	30% of the cushion's price
Buttons	incl. in price

Do you want your cushions in another material? Please, contact us for quote.



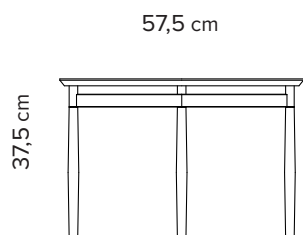
With or without buttons



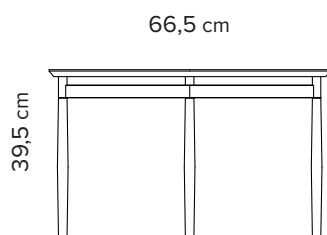
With or without squares

Type	Nesting tables, sold in sets of 3 tables
Dimensions	H: 37,5 cm, L: 57,5 cm, W: 42 cm, table top: 1,6 cm H: 39,5 cm, L: 66,5 cm, W: 50 cm, table top: 1,6 cm H: 41,5 cm, L: 74 cm, W: 58 cm, table top: 1,6 cm
Table top	Solid oak, oiled
Table legs	Solid oak, oiled
Frame	Black powder coated steel

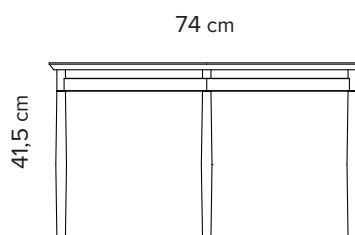
Forma small



Forma medium



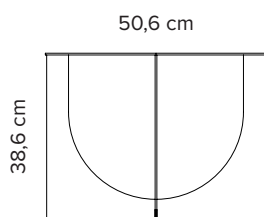
Forma large



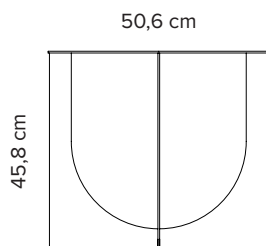
Type	Coffee table
Dimensions Inverse small	H: 38,6 cm, diameter: 50,6 cm
Dimensions Inverse medium	H: 45,8 cm, diameter: 50,6 cm
Table top	Texture coated steel
Legs	Texture coated steel

	Small V1	Medium V1
Beige	407	409
Black	407	409
Grey	407	409

Inverse small V1



Inverse medium V1



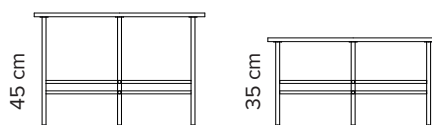
Type	Coffee table		
Variants	Diameter: 45 cm, H: 55 cm, table top Linoleum/ Laminate: 0,7 cm / Marble: 2 cm		
	Diameter: 55 cm, H: 50 cm, table top Linoleum/ Laminate: 0,7 cm		
	Diameter: 65 cm, H: 35 cm, table top Linoleum/ Laminate: 0,7 cm		
	Diameter: 65 cm, H: 45 cm, table top Linoleum/ Laminate: 0,7 cm / Marble: 2 cm		
	Diameter: 80 cm, H: 35 cm, table top Linoleum/ Laminate: 0,7 cm		
Table top	Diameter: 80 cm, H: 45 cm, table top Linoleum/ Laminate: 0,7 cm / Marble: 2 cm		
	B: 55 cm, L: 108 cm, H: 40 cm, table top Linoleum/ Laminate: 1,6 cm / Marble: 2 cm		
	Linoleum:	Laminate:	Marble:
	4179 Smokey Blue 4174 Conifer Green	0720 Nero Ingo 0752 Grigio Antrim (tidligere Selandia)	Emperador Beige Emperador Dark Brown Black Marquina
	Table legs	Dark grey powder-coated steel	

	Linoleum/laminate	Marble
Diameter: 45 cm, H: 55 cm	461	596
Diameter: 55 cm, H: 50 cm	501	
Diameter: 65 cm, H: 35 cm	542	
Diameter: 65 cm, H: 45 cm	547	700
Diameter: 80 cm, H: 35 cm	644	
Diameter: 80 cm, H: 45 cm	645	829
W: 55 cm, L: 108 cm, H: 40 cm	709	861

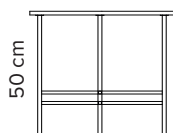
Diameter: 45 cm



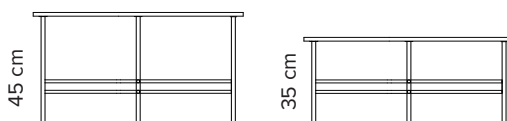
Diameter: 65 cm



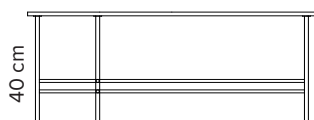
Diameter: 55 cm



Diameter: 80 cm



L: 108 cm



Type	3- seater sofa
Dimensions	L: 227 cm, D: 97 cm, H: 76 cm (back height) Armrest height: 66 cm Seat depth: 65 cm Seat height: 44 cm Seat length: 178 cm
Base	Black powder coated steel
Seat and arm cushion	PU foam (Polyurethane)
Bag cushion	Fiber (70%) and granules (30%)
Com.	Not all types of fabric or leather are suitable for Aware. Com. materials must be pre-approved. Fabric: 9 m

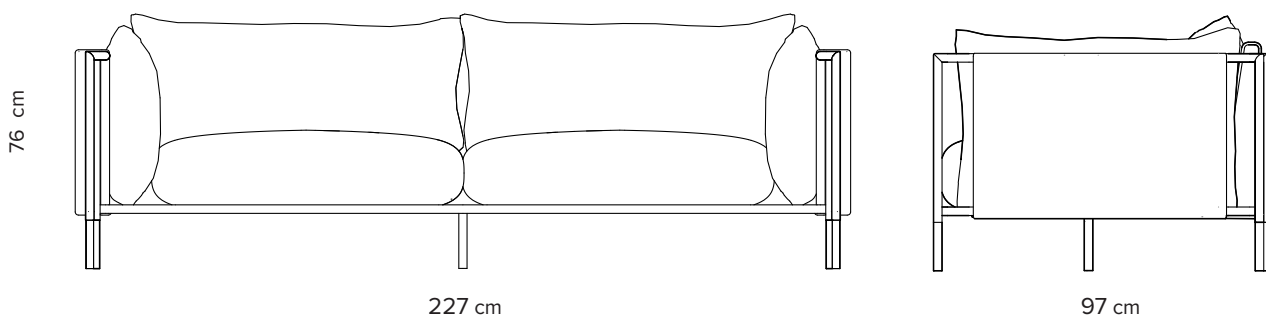
Fabric

01	3222
02	3560
03	3288
04	4491
05	4781
06	5023
07	5563
08	6203

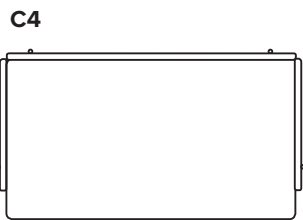
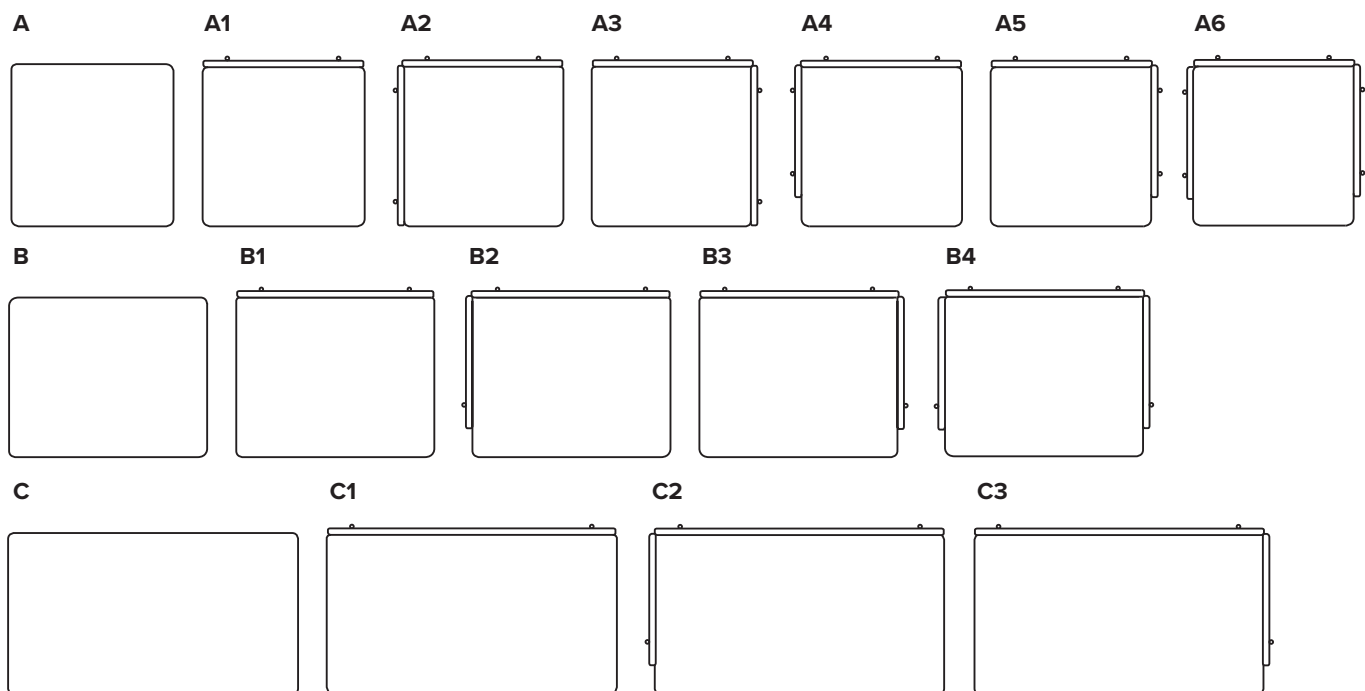
Com.

Fabric	2698
--------	------

Aware



Type	Modular sofa. Find descriptions of the 17 different modules below.
Cushion	Back cushion H: 58 cm, W: 58 cm. Filling of ball fibres mixed with European duck feathers. A1, A2, A3, A4, A5 and A6 come with 1 back cushion. B1, B2, B3 and B4 come with 2 back cushions. C1, C2, C3 and C4 come with 3 back cushions. Extra back cushions are available for purchase.
Seat	Firm foam seat with down-filled top
Base	Black powder coated steel
Com.	Not all types of fabric and leather are suitable for Pado. Com. materials must be pre-approved.



Module name	Description
A	Module without back rest or arm rest
B	Chaise longue
C	
A1	Module with back rest
B1	Center modules
C1	
A2	Module with back rest at two sides
A3	Corners
A4	Module with back rest and arm rest
A5	End modules
B2	
B3	
C2	
C3	
A6	Module with back and arm rest at both ends.
B4	Lounge chair or 2 seater sofa
C4	

When ordering, please write the name of the modules and enclose a drawing of the assembled sofa.

Pado

Design: Bent Hansen Studio

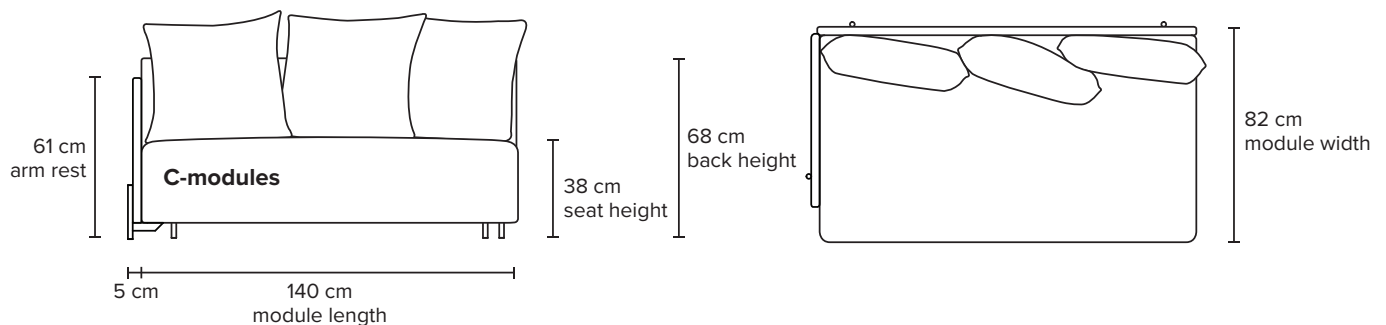
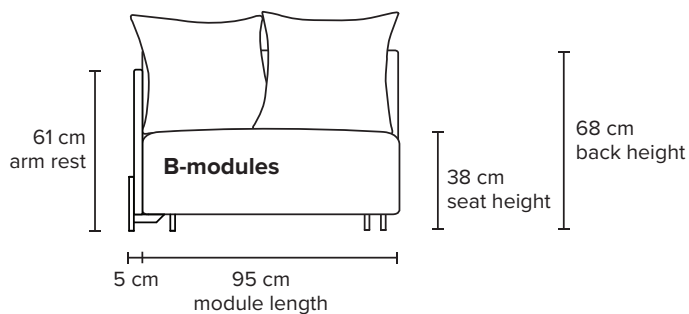
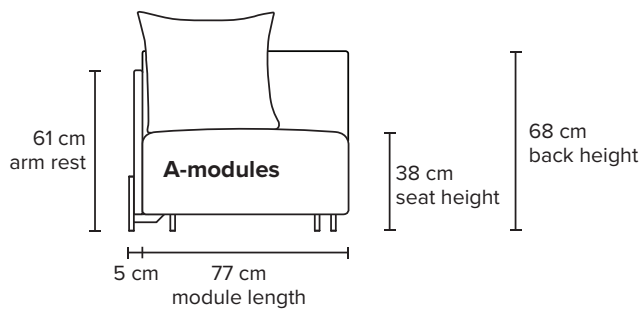
Fabric	A	A1	A2 / A3	A4 / A5	A6	B	B1	B2 / B3	B4	C	C1	C2 / C3	C4	extra cushion
01	731	927	1123	1111	1294	811	1211	1383	1573	1160	1351	1522	1694	149
02	799	1031	1263	1250	1470	890	1455	1654	1884	1279	1594	1794	1993	175
03	866	1133	1401	1388	1643	969	1695	1922	2191	1397	1835	2062	2288	202
04	985	1316	1646	1634	1952	1110	2124	2400	2739	1608	2263	2539	2815	249
05	1043	1405	1766	1754	2103	1178	2332	2632	3006	1711	2472	2772	3072	272
06	1092	1479	1866	1853	2228	1235	2506	2826	3228	1796	2646	2966	3286	291
07	1200	1644	2089	2076	2508	1362	2894	3259	3724	1987	3034	3398	3763	333
08	1328	1840	2353	2340	2840	1513	3355	3772	4313	2214	3494	3912	4329	384

Leather

09	964	1332	1675	1661	1989	1150	1774	2012	2295	1478	2275	2629	2982	239
10	1123	1555	2021	2009	2463	1314	2286	2573	2944	1585	2751	3205	3659	280
11	1364	2066	2698	2683	3301	1739	3080	3464	3965	2076	3856	4497	5139	356

Com.

Fabric: m	1.7	2.6	3.5	3.5	4.4	2	6.1	6.8	7.8	3	6.1	6.8	7.5	0.65
Fabric	626	766	907	895	1023	687	835	963	1091	974	974	1103	1160	107
Leather: m ²	3	5	7	7	9	4	9	10	11.5	4	11	13	15	0.8
Leather	626	766	907	895	1023	687	835	963	1091	974	974	1103	1160	134



Primum Sofa

Design: Bent Hansen Studio

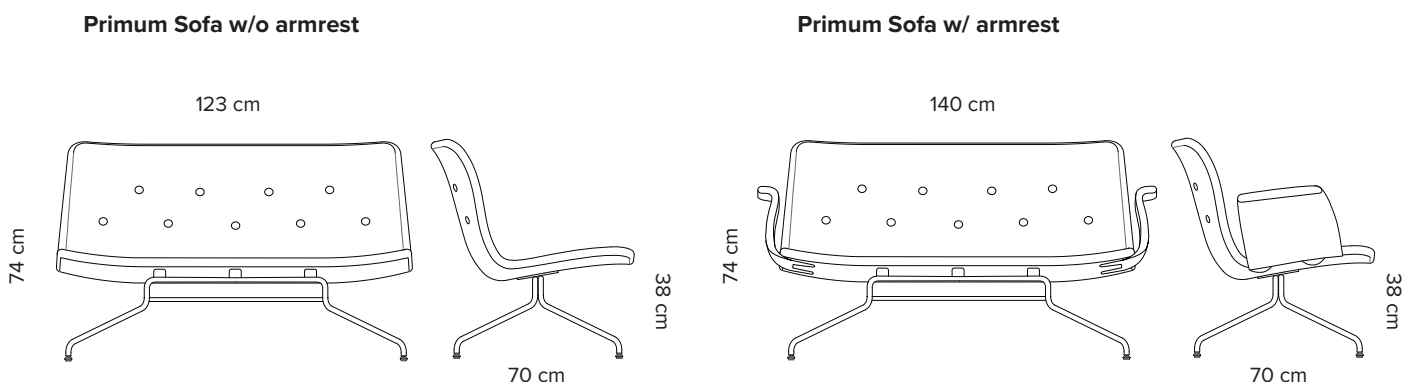
Type	2-seater sofa
Dimensions	H: 74 cm, D: 70 cm, L: 123 cm (without armrest), L: 140 cm (with armrest) Seat height: 38 cm Seat depth: 52 cm
Base	Black powder coated steel or brushed stainless steel.
Glides	Standard without felt. Felt glides available for purchase. The customers will have to replace the glides themselves.
Upholstery	High resilience foam
Com.	Not all types of fabric and leather are suitable for Primum Sofa. Com. materials must be pre-approved. Sofa w/o armrest: Fabric: 2.7 m / Leather: 4 m ² Sofa w/ armrest: Fabric: 2.7 m / Leather: 4 m ²

Fabric	Sofa w/o armrest		Sofa w/ armrest	
	Black legs	Brushed stainless legs	Black legs	Brushed stainless legs
01	2378	2513	2914	3049
02	2480	2615	3016	3151
03	2580	2715	3116	3251
04	2759	2894	3295	3430
05	2846	2981	3382	3517
06	2918	3054	3454	3590
07	3080	3216	3616	3752
08	3273	3408	3809	3944

Leather				
09	2681	2816	3226	3361
10	3047	3182	3591	3727
11	3133	3268	3677	3813

Com.				
Fabric	2221	2356	2757	2892
Leather	2380	2516	2925	3060

Surcharge	
Felt glides	12



Button-Up

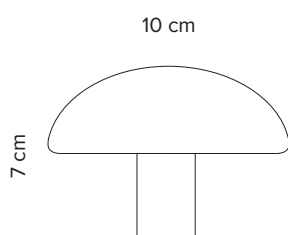
Design: Bent Hansen Studio

Type	Coat hook
Cover	Leather
Spacer	Aluminium
Dimensions	H: 7 cm, diameter 10 cm

Leather / Black	72
Leather / Cognac	72

Are you interested in Button-Up in another material? Please contact us for quote.

Button-Up



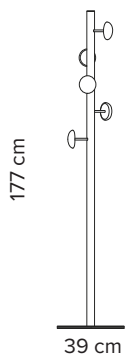
Hang-Up

Design: Bent Hansen Studio

Type	Hat and coat stand
Varianter	White or black powder coated steel trunk. Coat hooks in leather: cognac or black
Dimensions	H: 177 cm, diameter 39 cm

Hang-Up White Cognac leather buttons	598
Hang-Up White Black leather buttons	598
Hang-Up Black Cognac leather buttons	598
Hang-Up Black Black leather buttons	598

Hang-Up



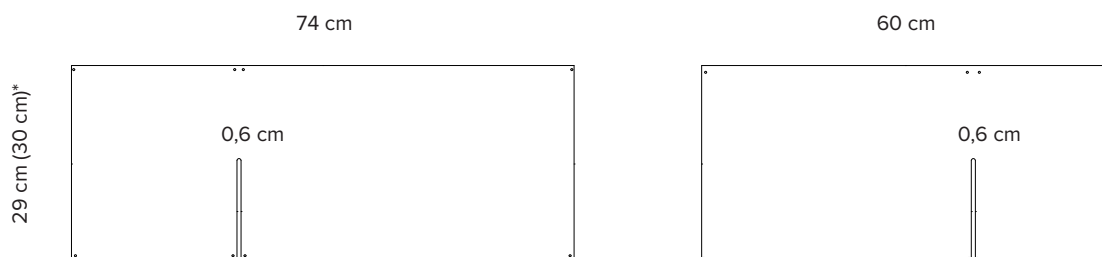
Up The Wall

Design: Bent Hansen Studio

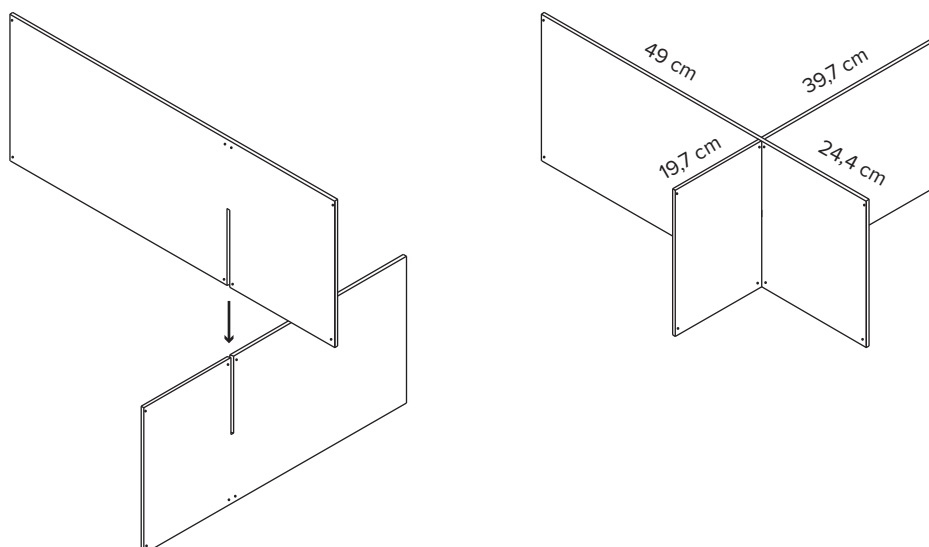
Type	Shelves
Dimensions long shelf	H: 0,6 cm, W: 29 cm, L: 74 cm
Dimensions short shelf	H: 0,6 cm, W: 29 cm, L: 60 cm
Shelf depth	30 cm
Surface, HPL	White, black, oak imitated, walnut imitated
Material	Compact laminate

	per set of shelves
White	321
Black	321
Oak	404
Walnut	404

Up The Wall set of shelves



*The shelf plate measures 29 cm. When the shelf is mounted on the wall the fittings increase the width to 30 cm.



Price groups - fabric

Fabric	Manufacturer	Price group	Price
Advantage	Camira	1	
Balder	Kvadrat	8	
Barnum	Nevotex	4	
Blazer	Camira	2	
Breeze Fusion	Gabriel	3	
Capture	Gabriel	3	
Cassia •••	Designers Guild	3	
Clara	Kvadrat	5	
Coda	Kvadrat		On request
Crisp	Gabriel	5	
Cyber	Gabriel		On request
Divina 3	Kvadrat	8	
Divina MD	Kvadrat		On request
Divina Melange	Kvadrat	7	
Drop •	Kvadrat		On request
Eros ••	Nevotex	4	
Fiord	Kvadrat	4	
Floyd	Kvadrat	5	
Fluffy	Jab		On request
Foss	Kvadrat		On request
Grain	Gabriel		On request
Hallingdal	Kvadrat	4	
Hemp	Camira	4	
Hemsedal	Gudbrandsdalen		On request
Karakorum	Dedar	8	
Langeland (<i>Asger Chair, Asger Lounge Chair only</i>)	Kjellerup	4	
Lila	Kvadrat	7	
Mandal	Gudbrandsdalen		On request
Melange Nap	Kvadrat	5	
Merit	Maharam		On request
Moss	Kvadrat		On request
Nowa	Nevotex		On request
Poppy	Svensson	4	
Re-wool	Kvadrat	6	
Ricco	Bent Hansen	3	
Rime	Kvadrat	6	
Safire	Kvadrat		On request
San	Kvadrat	5	

- Not suitable for Primum Lounge Chair, Primum Sofa, Primum Chair
- Not suitable for Primum Lounge Chair, Primum Sofa
- Not suitable for Primum Lounge Chair, Primum Sofa, Primum Chair, Primum Bar Stool

Price groups - fabric

Savanna	Kvadrat		On request
Steelcut	Kvadrat	7	
Steelcut Quartet	Kvadrat		On request
Steelcut Trio	Kvadrat	7	
Synergi	Camira	3	
Tiger Mountain <i>(Marokko only)</i>	Dedar	8	
Tonica	Kvadrat	6	
Tonus	Kvadrat	6	
Vidar	Kvadrat	8	
Vils <i>(Kun Asger Chair, Asger Lounge Chair)</i>	Kjellerup	6	

- Not suitable for Primum Lounge Chair, Primum Sofa, Primum Chair
- Not suitable for Primum Lounge Chair, Primum Sofa
- Not suitable for Primum Lounge Chair, Primum Sofa, Primum Chair, Primum Bar Stool

Price groups - leather

Leather	Manufacturer	Price group	Price
Adrian	Bent Hansen	10	
Alaska	CAMO Leathers		On request
Baltique	Elmo Leather		On request
Basic <i>(Seat Cushions only)</i>	Bent Hansen	12	
Challenger	Nevotex		On request
Davos	Nevotex	11	
Dunes	Sørensen Leather		On request
Elmo Soft	Elmo Leather		On request
Kenya	CAMO Leathers		On request
Prescott	Nevotex		On request
Royal Nubuck	Sørensen Leather		On request
Scandinavian	CAMO Leathers		On request
Soave	Nevotex		On request
Vintage	Leather Ohmann		On request
Yellowstone	Sørensen Leather		On request
Ranchero •••	Leder Fiedler	11	
Zenso 2	Bent Hansen	9	

Faux leather	Manufacturer	Price group	Price
Brisa Distressed	Ultra Fabrics		On request

••• Not suitable for Primum Lounge Chair, Primum Sofa, Primum Chair, Primum Bar Stool

Bent Hansen 